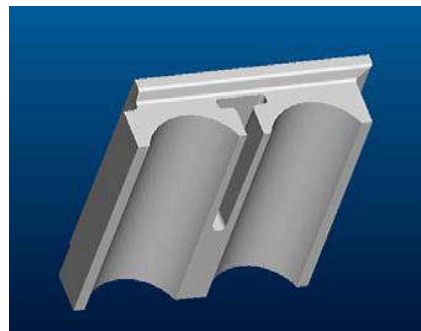


# LS series

Waste-to-Energy Incinerator Linings

## LS-75S



		Guaranteed Value	Typical Value	Std. Deviation
<b>Bulk Density:</b> <i>ISO 5017</i>	..... g/cm <sup>3</sup>	≥ 2.65	2.72	0.04
	..... bs/cu.ft.	165	170	2.5
<b>Open Porosity:</b> <i>ISO 5017</i>	..... %	≤ 14	12.4	1.3
<b>Cold Crushing Strength:</b> <i>ISO 10059/1-92</i>	..... MPa	≥ 150	180	15
	..... psi	≥ 21756	26107	2176
<b>Modulus of Rupture:</b> <i>ISO 5014</i>	@ 20°C - 950°C..... MPa	≥ 40	50	5
	@ 68°F - 1742°F ..... psi	5802	7252	725
<b>Thermal conductivity:</b> <i>Laser flash method</i>	@ 1000°C..... W/m.K	≥ 15	16.8	1.3
<b>Abrasion resistance</b> <i>ASTM C704</i>	Volume loss..... cm <sup>3</sup>	≤ 5	4.2	0.5
<b>Oxidation Resistance:</b> <i>ASTM C863</i>	Volume expansion..... %	≤ 1.0	0.8	0.2
<b>Chemical Composition:</b> <i>ISO 21068</i>	SiC..... %	≥ 70	73.0	0.7
	Si <sub>3</sub> N <sub>4</sub> + Si <sub>2</sub> N <sub>2</sub> O ..... %	≥ 15	19	0.5

LS-75S have special ingredients (additives) and are double-fired.

Oxidation resistance is conducted under steam atmosphere at 1000°C and evaluated by volume expansion.

**simonsen a/s**  
**Recycling - WtE**

Møgelvangs Plads 7  
DK-7900 Nykøbing Mors  
DANMARK  
Tel: Int. +45 9669 1300  
Fax: Int. +45 9669 1301  
e-mail: simonsen@simonsen.eu  
WebSite: www.simonsen.eu



Producer:

**LIRR**  
**SINOSTEEL LUOYANG INSTITUTE OF**  
**REFRACTORIES RESEARCH Co., Ltd.**  
Luoyang, Henan Province  
P.R. of China

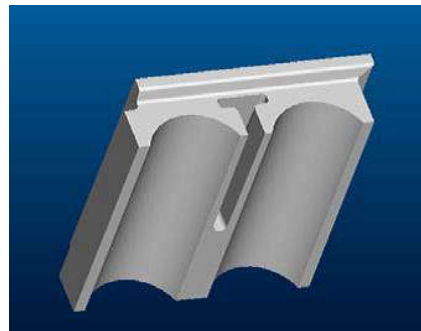
**An ISO-9001, ISO-14001:2004 and OHSAS**  
**18001:2007 certified company**



# LS series

Waste-to-Energy Incinerator Linings

## LS-85S



		Guaranteed Value	Typical Value	Std. Deviation
<b>Bulk Density:</b> <i>ISO 5017</i>	..... g/cm <sup>3</sup>	≥ 2.65	2.72	0.04
	..... bs/cu.ft.	165	170	2.5
<b>Open Porosity:</b> <i>ISO 5017</i>	..... %	≤ 14	12.4	1.3
<b>Cold Crushing Strength:</b> <i>ISO 10059/1-92</i>	..... MPa	≥ 150	175	15
	..... psi	≥ 21756	25382	2176
<b>Modulus of Rupture:</b> <i>ISO 5014</i>	@ 20°C - 950°C..... MPa	≥ 40	48	5
	@ 68°F - 1742°F ..... psi	≥ 5802	6962	725
<b>Thermal conductivity:</b> <i>Laser flash method</i>	@ 1000°C..... W/m.K	≥ 17	18	1.5
<b>Abrasion resistance</b> <i>ASTM C704</i>	Volume loss..... cm <sup>3</sup>	≤ 5	4.2	0.5
<b>Oxidation Resistance:</b> <i>ASTM C863</i>	Volume expansion..... %	≤ 1.0	0.85	0.2
<b>Chemical Composition:</b> <i>ISO 21068</i>	SiC..... %	≥ 78	81.5	0.7
	Si <sub>3</sub> N <sub>4</sub> + Si <sub>2</sub> N <sub>2</sub> O ..... %	≥ 8	11	0.5

LS-75S have special ingredients (additives) and are double-fired.

Oxidation resistance is conducted under steam atmosphere at 1000°C and evaluated by volume expansion.

**simonsen a/s**  
**Recycling - WtE**

Møgelvangs Plads 7  
DK-7900 Nykøbing Mors  
DANMARK  
Tel: Int. +45 9669 1300  
Fax: Int. +45 9669 1301  
e-mail: simonsen@simonsen.eu  
WebSite: www.simonsen.eu



Producer:

**LIRR**  
**SINO STEEL LUOYANG INSTITUTE OF REFRACTORIES RESEARCH Co., Ltd.**  
Luoyang, Henan Province  
P.R. of China

**An ISO-9001, ISO-14001:2004 and OHSAS 18001:2007 certified company**

